



DISTRIBUTED BY: LONGWOOD FOREST PRODUCTS INC. 88 INDUSTRIAL PARK ROAD, PENNSVILLE, NJ 08070  
 CUSTOMER SERVICE: (800) 889-8153 / service@angelline.com

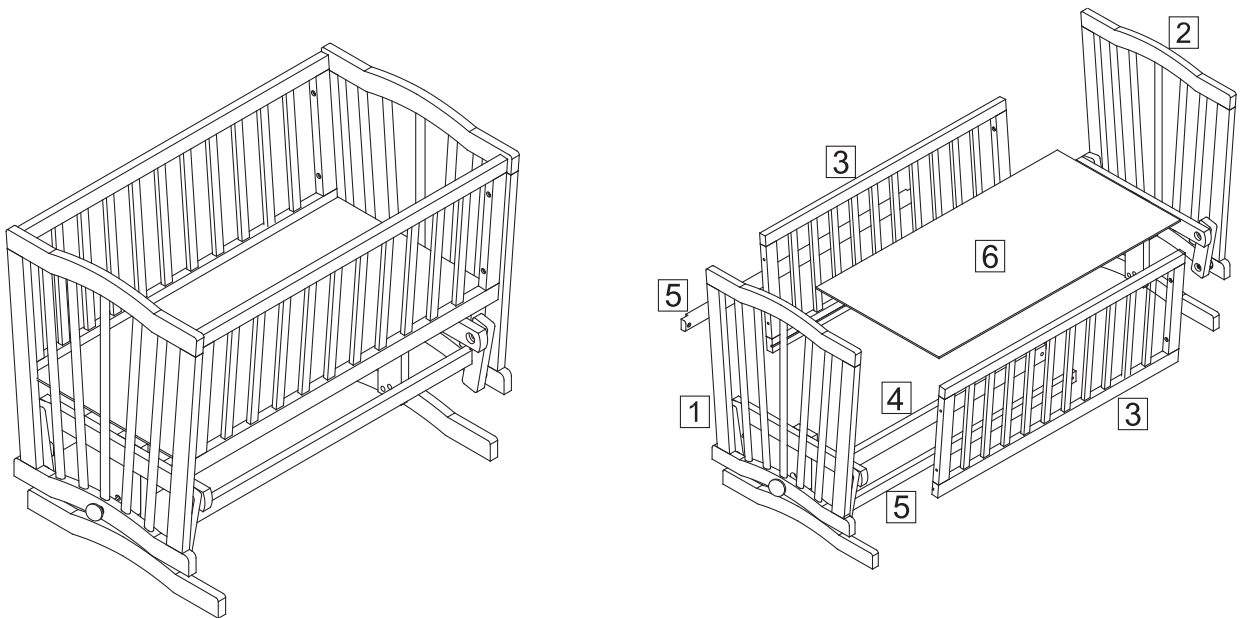
## Model # 9709\* - Mary Gliding Cradle

# ! WARNING

READ THE INSTRUCTIONS CAREFULLY BEFORE USE, KEEP INSTRUCTIONS FOR FUTURE USE.

THE CRADLE COULD TIP IF THE CHILD IS STANDING AND LEANING AGAINST THE SIDE RAILS. STOP USING THE CRADLE WHEN THE CHILD IS ABLE TO STAND ITSELF UP. CHECK SCREWS AND OTHERS FASTENERS PERIODICALLY FOR TIGHTNESS.

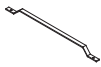




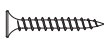
## ASSEMBLY INSTRUCTIONS



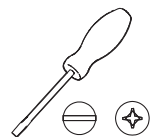
### COMPONENT PARTS:

1. PANEL WITH STOPPER x 1
2. PANEL W/OUT STOPPER x 1
3. SIDE PANEL x 2
4. CENTER CROSS BEAM x 1
5. SIDE CROSS BEAM x 2
6. BOTTOM BOARD x 1

### HARDWARE:

					
A x 3	B x 2	C x 12	D x 2	E x 1	F x 6

### Tool Required





DISTRIBUTED BY: LONGWOOD FOREST PRODUCTS INC. 88 INDUSTRIAL PARK ROAD, PENNSVILLE, NJ 08070  
 CUSTOMER SERVICE: (800) 889-8153 / service@angelline.com

## Model # 9709\* - Mary Gliding Cradle

# ASSEMBLY INSTRUCTIONS

**STEP 1** - Lay left panel (2) on floor, install center cross beam (4) by using barrel nuts (D) and screws (B).

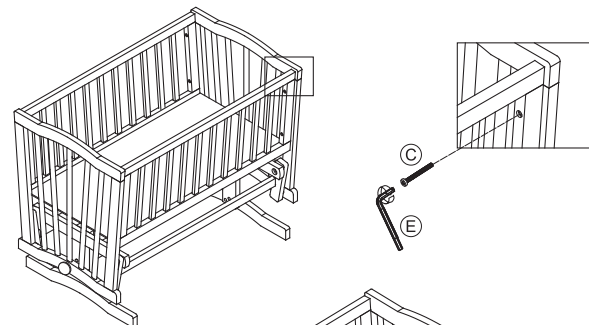
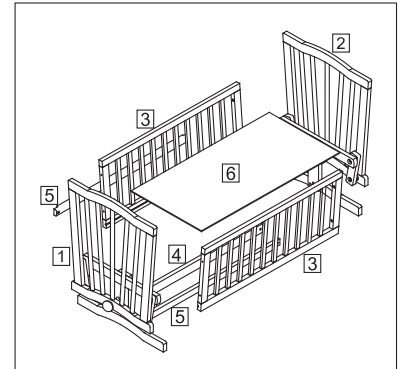
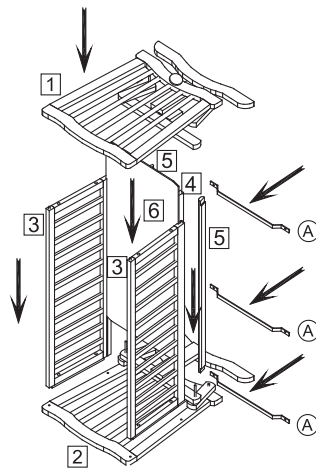
**STEP 2** - Install side cross beam (5) by using screw (C).

**STEP 3** - Install 2 side panels (3) by using screw (C)

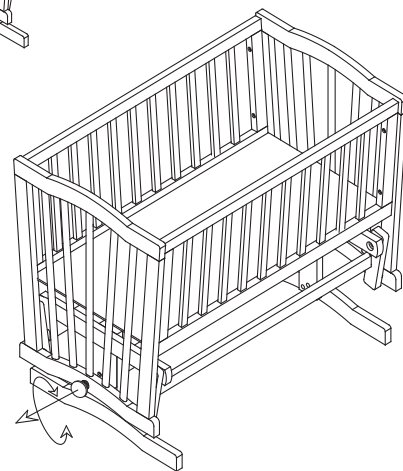
**STEP 4** - Insert bottom board (6) from top into the groove on the side panels

**STEP 5** - Install 3 metal braces (A) on bottom side to support bottom board by using wood screw (F)

**STEP 6** - Install right panel (1) from top by using screw (C), turn and set the cradle on floor



**TO HOLD THE CRADLE FROM ROCKING, PULL THE ROCKING STOPPER KNOB & TURN 90° RIGHT OR LEFT, UNTIL THE PIN LOCK THE PEDESTAL.**



### HARDWARE:

A x 3	B x 2	C x 12	D x 2	E x 1	F x 6

**Tool Required**

