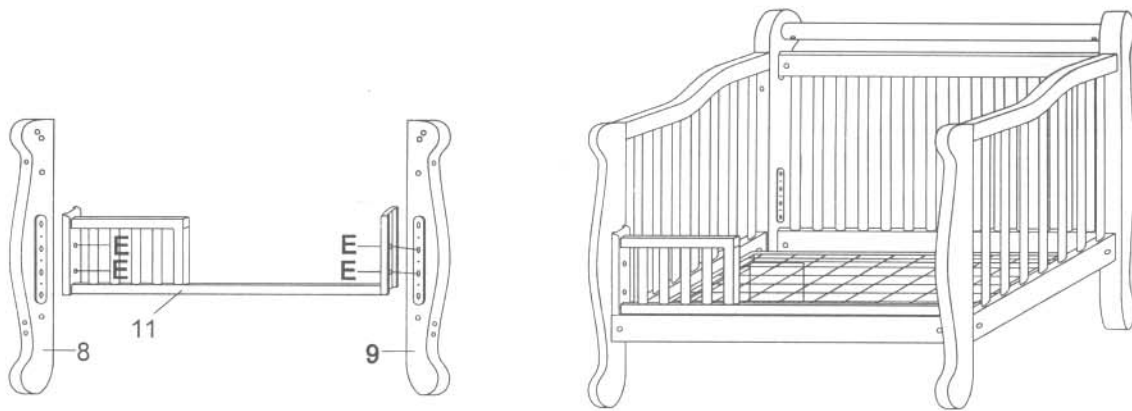
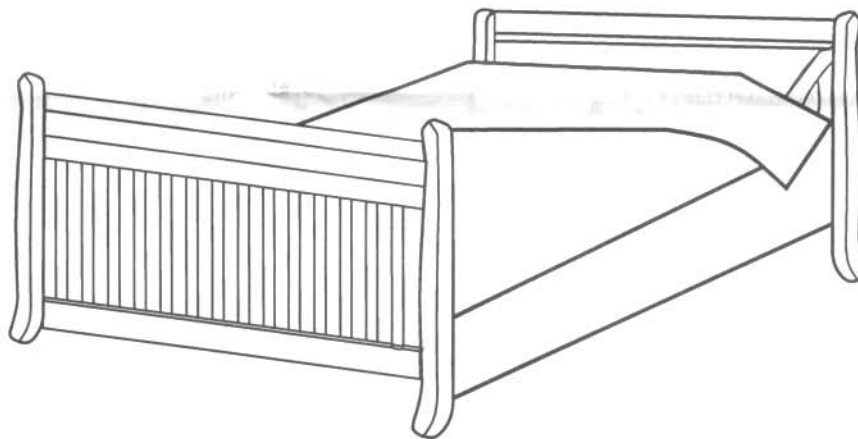


FIG 7



CONVERT THE CRIB INTO TODDLER BED

- 1.REMOVE THE FRONT PANEL.
- 2.INSTAIL THE GUARD RAIL AS SHOWN.



CONVERT THE CRIB INTO FULL SIZE BED

1. REMOVE THE RIGHT AND LEFT HEAD BOARD
REMOVE THE MATTRESS SUPPORT.
2. USE THE FRONT PANEL AS FOOT BOARD OF THE FULL SIZE BED.
3. USE THE REAR PANEL AS HEAD BOARD OF THE FULL SIZE BED.
4. CONNECT THE FRONT AND REAR PANELS BY A STANDARD HOLLYWOOD
FRAME PROVIDED BY OTHERS.