

FIG 1

INSERT WOOD PIN (G) INTO TOP RAIL.



FIG 2

INSTALL BLACKET (D) ON 4 POSTS USING SCREW (C)

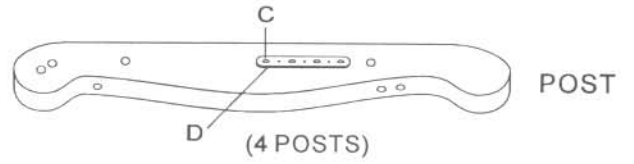


FIG 3

ASSEMBLE THE BACK PANEL USE BACK PANEL AND 2 REAR POSTS.

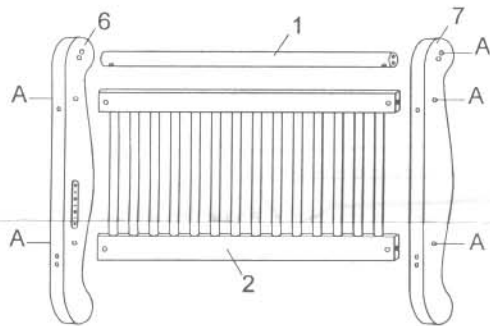


FIG 4

INSTALL RIGHT HEAD BOARD (5) TO FRONT POST (9) AND LEFT HEAD BOARD (4) TO FRONT POST (8).

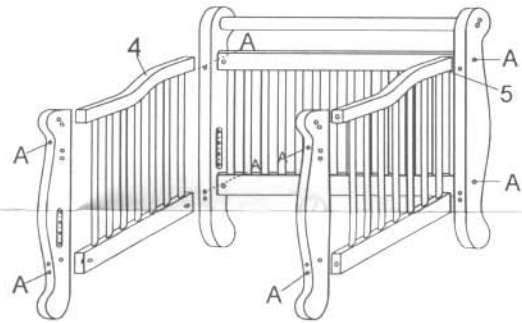


FIG 5

INSTALL MATTRESS SUPPORT (10).

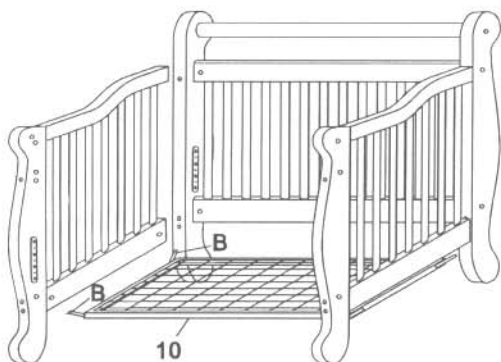


FIG 6

INSTALL FRONT PANEL

