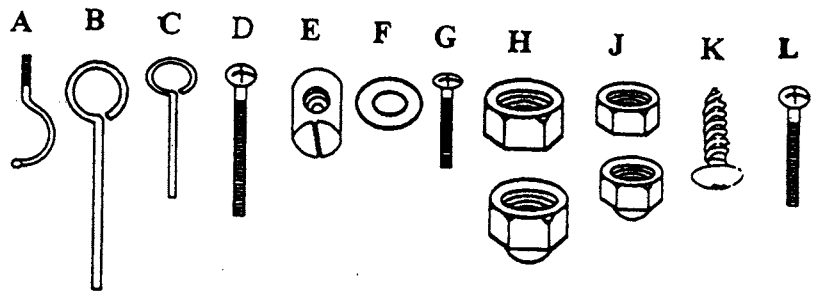


ANGEL LINE

DISTRIBUTED BY:
 LONGWOOD FOREST PRODUCTS, INC.
 17 PEAK PLACE
 SEWELL, NJ 08080

CUSTOMER SERVICE: (609)227-5505



CRADLE WITH PAD

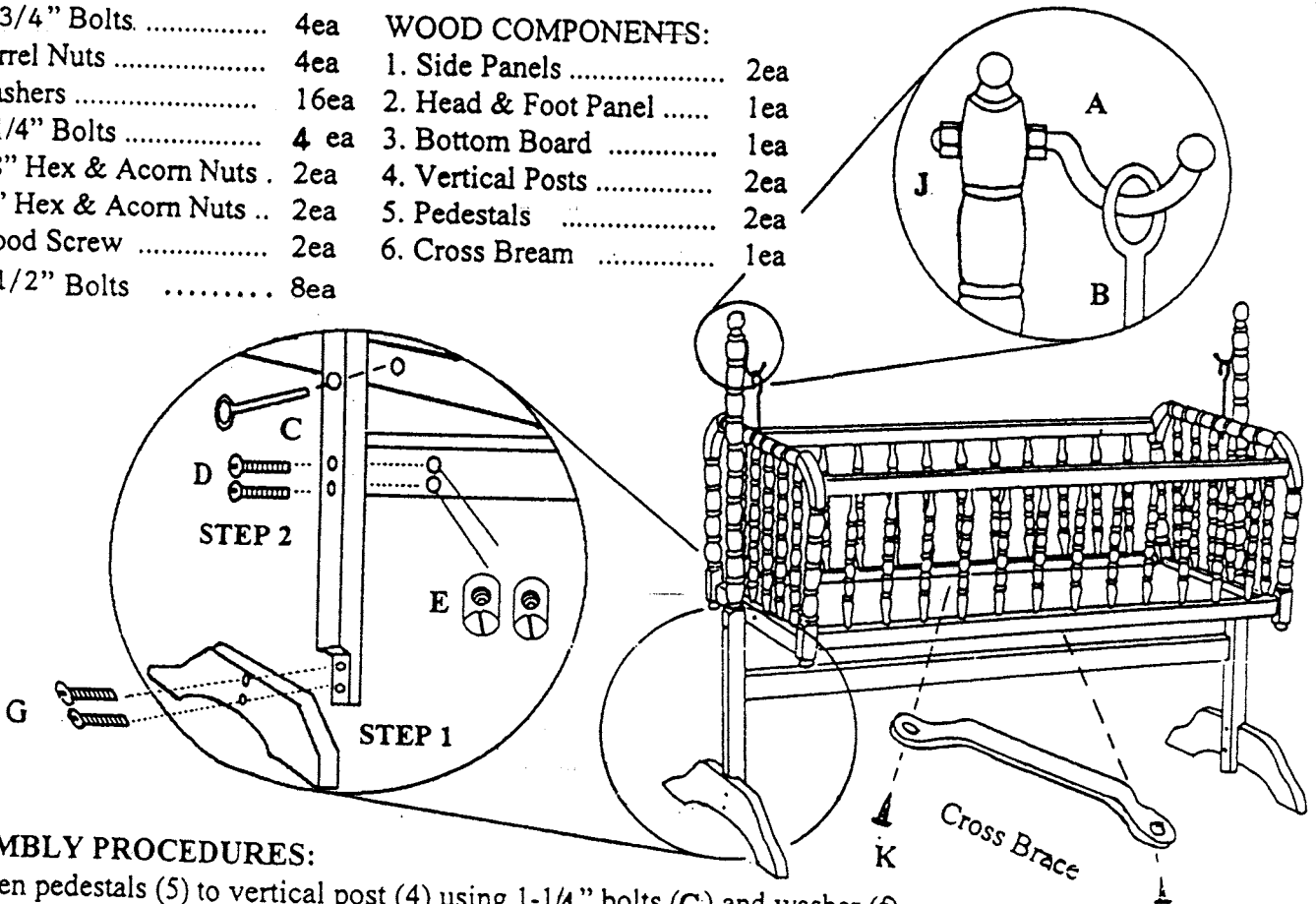
#6125 JENNY LIND, WHITE
 #6126 JENNY LIND, MAPLE

HARDWARE LIST:

- A. Hooks 2ea
- B. 7" Eye Bolt..... 2ea
- C. Eye Pin 1 ea
- D. 2-3/4" Bolts 4ea
- E. Barrel Nuts 4ea
- F. Washers 16ea
- G. 1-1/4" Bolts 4 ea
- H. 3/8" Hex & Acorn Nuts . 2ea
- J. 1/4" Hex & Acorn Nuts .. 2ea
- K. Wood Screw 2ea
- L. 1-1/2" Bolts 8ea

WOOD COMPONENTS:

- 1. Side Panels 2ea
- 2. Head & Foot Panel 1ea
- 3. Bottom Board 1ea
- 4. Vertical Posts 2ea
- 5. Pedestals 2ea
- 6. Cross Bream 1ea



ASSEMBLY PROCEDURES:

- 1: Fasten pedestals (5) to vertical post (4) using 1-1/4" bolts (G) and washer (f).
- 2: Attach the cross beam (6) to the vertical post (4) using the 2" bolts (D) with washers(F) and Barrel Nuts(E).
- 3: Attach the Hooks (A) to the Vertical Posts. Use wrenches to hold and tighten the acorn & hex nuts.
- 4: Attach the 2 Side Panels (1) to the Head Panel (2) using the 1-1/2" Bolts (L) with washers (F).
- 5: Slide the Bottom Board (3) into the grooves all around and attach the other Foot Panel (2).
- 6: Turn the cradle upside down and attach the Cross Bream using the Wood Screw (K).
- 7: Push the two 7" Eye Bolts (B) through the Head & Foot Panels and jam the Hex and Acorn Nut (H) together with two wrenches to prevent them from loosening.

WARNING:

THE CRADLE COULD TIP IF THE CHILD IS STANDING AND LEANING AGAINST THE SIDE RAILS. STOP USING THE CRADLE WHEN THE CHILD IS ABLE TO STAND ITSELF UP. CHECK SCREWS PERIODICALLY FOR TIGHTNESS. TO HOLD THE CRADLE FROM ROCKING, INSERT THE EYE PIN (C) THROUGH THE VERTICAL SUPPORT AND THE FOOT PANEL.