

ANGEL LINE



DISTRIBUTED BY:
 LONGWOOD FOREST PRODUCTS, INC.
 201 LAKELAND ROAD
 BLACKWOOD, NJ 08012
 CUSTOMER SERVICE: (609)227-5505

Item # 6085 Contemporary White
 Item # 6115 Jenny LindWhite
 Item # 6116 Jenny LindMaple

WARNING:
 NEVER LEAVE CHILD UNATTENDED
 OR UNSTRAPPED WHEN USING THE
 DRESSING TABLE. CHECK SCREWS
 PERIODICALLY FOR TIGHTNESS.

HARDWARE LIST

A. 8 ... 2" Bolts & Lock



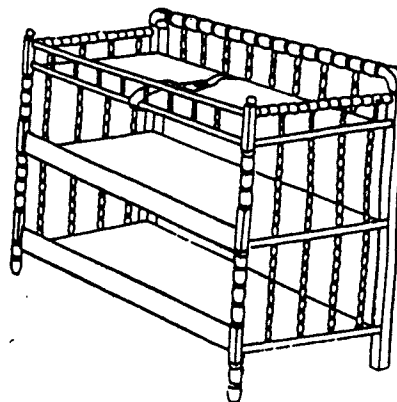
B. 8... Barrel Nuts



C. 6... 1-1/2" Bolts & Lock

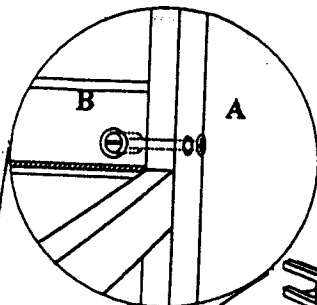
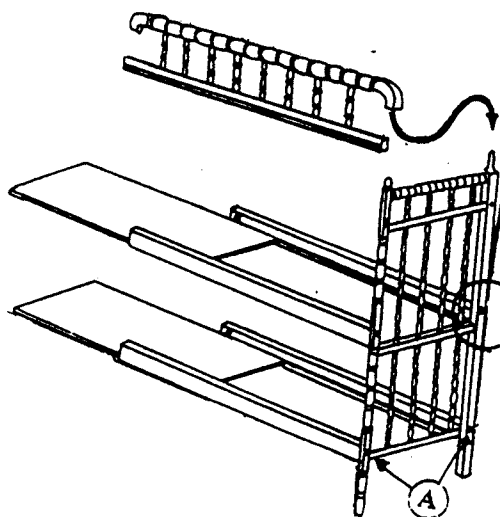


D. 6... 3/4" Wood Screws

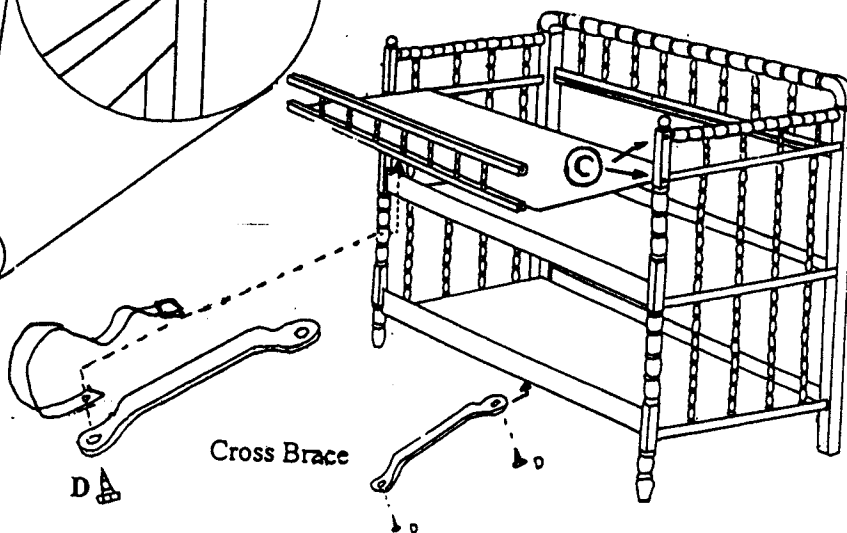


MADE IN TAIWAN

STEP 1.



STEP 2.



ASSEMBLY PROCEDURE:

NOTE: For easier to assemble don't fully tighten any bolts until the assembly is completed.

*** ALWAYS USE THE LOCK WASHERS WITH ALL BOLTS AS SHOWN IN STEP 1 ***

1. Attach the four (4) cross beams to one of the end frame, using the 2" bolts (A) and barrel nuts (B). Make sure the barrel nut slots align with the bolts and the lockwashers are between the bolt cap and the wood as shown in step 1.
2. Slide the shelf boards into the grooves on the cross beams. Attach the second end frame and then push the back rail onto the dowels on the end frames as shown in step 1.
3. Step 2 shows how to slide the upper shelf into the groove on the back rail, then attach the front rail. Secure both rails with bolts (C). **NOW YOU TIGHTEN ALL THE BOLTS.**
4. Attach the safety strap and the support bracket to the underside of the shelves using the 3/4" wood screws (D).
5. Place pad on top shelf and secure with safety strap.

HELPFUL HINTS:

- A. You will need a phillips screwdriver to assemble.
- B. Although one person can assemble, a partner will make the job easier.

REV. 10/94